



# TAKOO 5

*Technical specifications*

**TECHNICAL DATA**

**TAKOO 5**

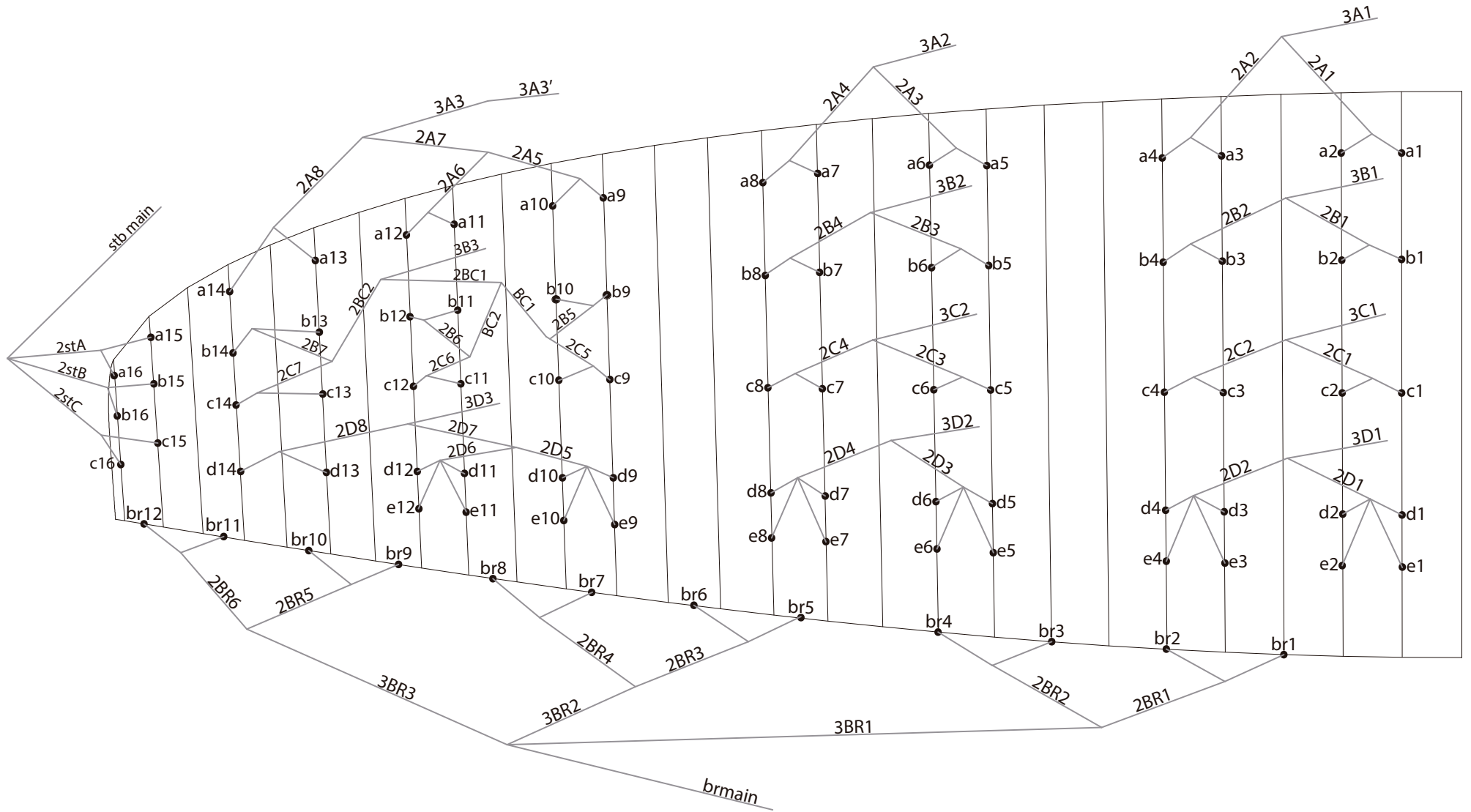
			<b>39</b>	<b>42</b>	<b>44</b>
<b>CELLS</b>	<b>Number</b>		54	54	54
<b>ASPECT RATIO</b>	<b>Flat</b>		5,5	5,5	5,5
<b>AREA</b>	<b>Flat</b>	m2	38	41	44
	<b>Projected</b>	m2	32,18	34,72	37,26
<b>SPAN</b>	<b>Flat</b>	m	14,46	15,02	15,56
<b>CHORD</b>	<b>Maximum</b>	m	3,29	3,41	3,54
<b>LINES</b>	<b>Total</b>	m	370	385	400
	<b>Main</b>		3/3/3/2	3/3/3/2	3/3/3/2
<b>RISERS</b>	<b>Number</b>	4	A/B/C/D	A/B/C/D	A/B/C/D
	<b>Accelerator</b>	mm	100	100	100
<b>WEIGHT IN FLIGHT</b>	<b>Min-Max</b>	Kg	110-190	120-220	140-239
<b>GLIDER WEIGHT</b>		Kg	7,14	7,51	8,06
<b>CERTIFICATION</b>	<b>EN/LTF</b>		B	B	B

**MATERIALS TECHNICAL DATA**

<b>CANOPY</b>	<b>FABRIC CODE</b>	<b>SUPPLIER</b>
UPPER SURFACE	30 DMF / N20 DMF	DOMINICO TEX CO (KOREA)
BOTTOM SURFACE	2044 32 PS	DOMINICO TEX CO (KOREA)
PROFILES	30 DFM / 2044 32 FM	DOMINICO TEX CO (KOREA)
DIAGONALS	30 DFM / 2044 32 FM	DOMINICO TEX CO (KOREA)
LOOPS	LKI - 10	KOLON IND. (KOREA)
REINFORCEMENT LOOPS	W-420 / RIPSTOP FABRIC	D-P (GERMANY)
TRAILING EDGE REINFORCEMENT	MYLAR	D-P (GERMANY)
RIBS REINFORCEMENT	LTN-1/0.8 STICK	SPORTWARE CO.CHINA
THREAD	SERAFIL 60	AMAN (GERMANY)

<b>SUSPENSION LINES</b>	<b>FABRIC CODE</b>	<b>SUPPLIER</b>
UPPER CASCADES	MATRIX - 80	EDELRID (GERMANY)
UPPER CASCADES	PPSL - 120	LIROS GMBH (GERMANY)
MIDDLE CASCADES	PPSL - 120	LIROS GMBH (GERMANY)
MIDDLE CASCADES	PPSL - 200	LIROS GMBH (GERMANY)
MIDDLE CASCADES	TNL - 280	TEIJIM LIMITED (JAPAN)
MIDDLE CASCADES	MATRIX - 80	EDELRID (GERMANY)
MAIN	TNL - 140	TEIJIM LIMITED (JAPAN)
MAIN	TNL - 280	TEIJIM LIMITED (JAPAN)
MAIN	TNL - 400	TEIJIM LIMITED (JAPAN)
MAIN BREAK	TARAX-240	EDELRID (GERMANY)
THREAD	SERAFIL 60	AMAN (GERMANY)

<b>RISERS</b>	<b>FABRIC CODE</b>	<b>SUPPLIER</b>
MATERIAL	G-R 22	TECNI SANGLES (FRANCE)
COLOR INDICATOR	210D	TECNI SANGLES (FRANCE)
THREAD	V138	COATS (ENGLAND)
MAILLONS	MRI4	ANSUNG PRECISION (KOREA)
PULLEYS	RF25109	RONSTAN (AUSTRALIA)





<b>A</b>	<b>A'</b>	<b>B</b>	<b>C</b>	<b>D</b>
3A1	3A3	3B1	3C1	3D1
3A2		3B2	3C2	3D2
		3B3	stab	3D3



**COLORS TECHNICAL DATA**

<b>BOREAL</b>	SB1	ROYAL BLUE	TOP	REF: 317
	SB2	WHITE	BOTTOM - ALL WHITE	REF: 001
	SB3	LIMA	HORN	REF: 500
	SB4	WHITE	SHADOW	REF: 001



<b>JAVA</b>	SB1	SPECTRA GREEN	TOP	REF: 17-5335
	SB2	WHITE	BOTTOM - ALL WHITE	REF: 001
	SB3	ORANGE	HORN	REF: 744
	SB4	BLACK	SHADOW	REF: 102



<b>ILLUSION</b>	SB1	PURPLE	TOP	REF: 240
	SB2	WHITE	BOTTOM - ALL WHITE	REF: 001
	SB3	GOLD	HORN	REF: 939
	SB4	BLACK	SHADOW	REF: 102



<b>TULIP</b>	SB1	DRAGON RED	TOP	REF: 636
	SB2	WHITE	BOTTOM - ALL WHITE	REF: 001
	SB3	WHITE	HORN	REF: 001
	SB4	LIMA	SHADOW	REF: 500



WING LOAD TECHNICAL DATA

TAKOO 5

39		42		44	
P.T.V.	KG/M2	P.T.V.	KG/M2	P.T.V.	KG/M2
110	= 2,89	120	= 2,93	140	= 3,18
115	= 3,03	125	= 3,05	145	= 3,30
120	= 3,16	130	= 3,17	150	= 3,41
125	= 3,29	135	= 3,29	155	= 3,52
130	= 3,42	140	= 3,41	160	= 3,64
135	= 3,55	145	= 3,54	165	= 3,75
140	= 3,68	150	= 3,66	170	= 3,86
145	= 3,82	155	= 3,78	175	= 3,98
150	= 3,95	160	= 3,90	180	= 4,09
155	= 4,08	165	= 4,02	185	= 4,20
160	= 4,21	170	= 4,15	190	= 4,32
165	= 4,34	175	= 4,27	195	= 4,43
170	= 4,47	180	= 4,39	200	= 4,55
175	= 4,61	185	= 4,51	205	= 4,66
180	= 4,74	190	= 4,63	210	= 4,77
185	= 4,87	195	= 4,76	215	= 4,89
190	= 5,00	200	= 4,88	220	= 5,00
		205	= 5,00	225	= 5,11
		210	= 5,12	230	= 5,23
		215	= 5,24	235	= 5,34
		220	= 5,37	240	= 5,45

**LINES TECHNICAL DATA**

**TAKOO 5**

**39**

REF.	MAT.	KG	COLOUR	M/M	REF.	MAT.	KG	COLOUR	M/M	REF.	MAT.	KG	COLOUR	M/M	REF.	MAT.	KG	COLOUR	M/M	REF.	MAT.	KG	COLOUR	M/M	REF.	MAT.	KG	COLOUR	M/M	
a1	PPSL	120	GREEN	574	b1	PPSL	120	BLUE	570	c1	PPSL	120	BLUE	570	d1	MATRIX	80	YELLOW	738	E1	MATRIX	80	YELLOW	810	br1	MATRIX	80	YELLOW	985	
a2	PPSL	120	GREEN	506	b2	PPSL	120	BLUE	496	c2	PPSL	120	BLUE	498	d2	MATRIX	80	YELLOW	644	E2	MATRIX	80	YELLOW	723	br2	MATRIX	80	YELLOW	761	
a3	PPSL	120	GREEN	534	b3	PPSL	120	BLUE	527	c3	PPSL	120	BLUE	526	d3	MATRIX	80	YELLOW	675	E3	MATRIX	80	YELLOW	752	br3	MATRIX	80	YELLOW	887	
a4	PPSL	120	GREEN	552	b4	PPSL	120	BLUE	550	c4	PPSL	120	BLUE	551	d4	MATRIX	80	YELLOW	722	E4	MATRIX	80	YELLOW	788	br4	MATRIX	80	YELLOW	887	
a5	PPSL	120	GREEN	541	b5	PPSL	120	BLUE	536	c5	PPSL	120	BLUE	537	d5	MATRIX	80	YELLOW	680	E5	MATRIX	80	YELLOW	751	br5	MATRIX	80	YELLOW	885	
a6	PPSL	120	GREEN	491	b6	PPSL	120	BLUE	482	c6	PPSL	120	BLUE	483	d6	MATRIX	80	YELLOW	605	E6	MATRIX	80	YELLOW	673	br6	MATRIX	80	YELLOW	704	
a7	PPSL	120	GREEN	499	b7	PPSL	120	BLUE	489	c7	PPSL	120	BLUE	488	d7	MATRIX	80	YELLOW	631	E7	MATRIX	80	YELLOW	695	br7	MATRIX	80	YELLOW	695	
a8	PPSL	120	GREEN	508	b8	PPSL	120	BLUE	505	c8	PPSL	120	BLUE	506	d8	MATRIX	80	YELLOW	672	E8	MATRIX	80	YELLOW	720	br8	MATRIX	80	YELLOW	811	
a9	PPSL	120	GREEN	467	b9	PPSL	120	BLUE	449	c9	PPSL	120	BLUE	448	d9	MATRIX	80	YELLOW	649	E9	MATRIX	80	YELLOW	705	br9	MATRIX	80	YELLOW	755	
a10	MATRIX	80	YELLOW	384	b10	MATRIX	80	YELLOW	370	c10	MATRIX	80	YELLOW	373	d10	MATRIX	80	YELLOW	548	E10	MATRIX	80	YELLOW	599	br10	MATRIX	80	YELLOW	626	
a11	MATRIX	80	YELLOW	370	b11	MATRIX	80	YELLOW	406	c11	MATRIX	80	YELLOW	400	d11	MATRIX	80	YELLOW	593	E11	MATRIX	80	YELLOW	634	br11	MATRIX	80	YELLOW	467	
a12	MATRIX	80	YELLOW	355	b12	MATRIX	80	YELLOW	389	c12	MATRIX	80	YELLOW	392	d12	MATRIX	80	YELLOW	586	E12	MATRIX	80	YELLOW	616	br12	MATRIX	80	YELLOW	646	
a13	MATRIX	80	YELLOW	1108	b13	MATRIX	80	YELLOW	1037	c13	MATRIX	80	YELLOW	1015	d13	MATRIX	80	YELLOW	735											
a14	MATRIX	80	YELLOW	1046	b14	MATRIX	80	YELLOW	977	c14	MATRIX	80	YELLOW	968	d14	MATRIX	80	YELLOW	721											
a15	MATRIX	80	YELLOW	582	b15	MATRIX	80	YELLOW	531	c15	MATRIX	80	YELLOW	455																
a16	MATRIX	80	YELLOW	491	b16	MATRIX	80	YELLOW	482	c16	MATRIX	80	YELLOW	433																
2A1	PPSL	200	GREEN	1775	2B1	TNL	280	BLUE	1591	2C1	TNL	280	BLUE	1589	2D1	PPSL	200	BLUE	991					2BR1	MATRIX	80	YELLOW	1.264		
2A2	PPSL	200	GREEN	1711	2B2	TNL	280	BLUE	1522	2C2	TNL	280	BLUE	1526	2D2	PPSL	200	BLUE	915					2BR2	MATRIX	80	YELLOW	962		
2A3	PPSL	200	GREEN	1710	2B3	TNL	280	BLUE	1524	2C3	TNL	280	BLUE	1523	2D3	PPSL	200	BLUE	971					2BR3	MATRIX	80	YELLOW	863		
2A4	PPSL	200	GREEN	1655	2B4	PPSL	200	BLUE	1473	2C4	PPSL	200	BLUE	1477	2D4	PPSL	200	BLUE	897					2BR4	MATRIX	80	YELLOW	811		
2A5	PPSL	200	GREEN	1386	2B5	PPSL	120	BLUE	511	2C5	PPSL	120	BLUE	518	2D5	PPSL	120	BLUE	859					2BR5	MATRIX	80	YELLOW	538		
2A6	PPSL	120	GREEN	1286	2B6	PPSL	120	BLUE	440	2C6	PPSL	120	BLUE	458	2D6	PPSL	120	BLUE	695					2BR6	MATRIX	80	YELLOW	646		
2A7	TNL	280	GREEN	1461	2B7	PPSL	120	BLUE	431	2C7	PPSL	120	BLUE	467	2D7	PPSL	200	BLUE	939					3BR1	PPSL	120	RED	3291		
2A8	PPSL	120	GREEN	1853	BC1	PPSL	200	BLUE	877	2STA	MATRIX	80	YELLOW	789	2D8	PPSL	120	BLUE	1413					3BR2	PPSL	120	RED	3136		
					BC2	PPSL	200	BLUE	800	2STB	MATRIX	80	YELLOW	793										3BR3	PPSL	120	RED	3323		
					2BC1	TNL	280	BLUE	1388	2STC	MATRIX	80	YELLOW	917																
					2BC2	PPSL	200	BLUE	1415	STB MAIN	TNL	140	RED	5863																
3A1	TNL	400	GREEN	5879	3B1	TNL	400	BLUE	5986	3C1	TNL	400	BLUE	5993	3D1	TNL	280	BLUE	6572					BR-MAIN	TNL	400	RED	3649		
3A2	TNL	400	GREEN	5839	3B2	TNL	400	BLUE	5945	3C2	TNL	400	BLUE	5962	3D2	TNL	280	BLUE	6496											KNOT POINT: 3449
3A3	TNL	400	GREEN	4104	3B3	TNL	400	BLUE	4650					3D3	TNL	280	BLUE	5523												
3A3'	TNL	400	GREEN	500																										



LINES TECHNICAL DATA

TAKOO 5

42

REF.	MAT.	KG	COLOUR	M/M	REF.	MAT.	KG	COLOUR	M/M	REF.	MAT.	KG	COLOUR	M/M	REF.	MAT.	KG	COLOUR	M/M	REF.	MAT.	KG	COLOUR	M/M	REF.	MAT.	KG	COLOUR	M/M	
a1	PPSL	120	GREEN	596	b1	PPSL	120	BLUE	592	c1	PPSL	120	BLUE	592	d1	MATRIX	80	YELLOW	767	e1	MATRIX	80	YELLOW	841	BR1	MATRIX	80	YELLOW	1023	
a2	PPSL	120	GREEN	526	b2	PPSL	120	BLUE	516	c2	PPSL	120	BLUE	518	d2	MATRIX	80	YELLOW	670	e2	MATRIX	80	YELLOW	751	BR2	MATRIX	80	YELLOW	792	
a3	PPSL	120	GREEN	555	b3	PPSL	120	BLUE	547	c3	PPSL	120	BLUE	546	d3	MATRIX	80	YELLOW	701	e3	MATRIX	80	YELLOW	781	BR3	MATRIX	80	YELLOW	921	
a4	PPSL	120	GREEN	574	b4	PPSL	120	BLUE	572	c4	PPSL	120	BLUE	572	d4	MATRIX	80	YELLOW	750	e4	MATRIX	80	YELLOW	819	BR4	MATRIX	80	YELLOW	922	
a5	PPSL	120	GREEN	562	b5	PPSL	120	BLUE	557	c5	PPSL	120	BLUE	557	d5	MATRIX	80	YELLOW	706	e5	MATRIX	80	YELLOW	780	BR5	MATRIX	80	YELLOW	919	
a6	PPSL	120	GREEN	510	b6	PPSL	120	BLUE	501	c6	PPSL	120	BLUE	502	d6	MATRIX	80	YELLOW	629	e6	MATRIX	80	YELLOW	700	BR6	MATRIX	80	YELLOW	732	
a7	PPSL	120	GREEN	518	b7	PPSL	120	BLUE	508	c7	PPSL	120	BLUE	507	d7	MATRIX	80	YELLOW	656	e7	MATRIX	80	YELLOW	721	BR7	MATRIX	80	YELLOW	721	
a8	PPSL	120	GREEN	528	b8	PPSL	120	BLUE	525	c8	PPSL	120	BLUE	526	d8	MATRIX	80	YELLOW	698	e8	MATRIX	80	YELLOW	748	BR8	MATRIX	80	YELLOW	842	
a9	PPSL	120	GREEN	485	b9	PPSL	120	BLUE	466	c9	PPSL	120	BLUE	465	d9	MATRIX	80	YELLOW	674	e9	MATRIX	80	YELLOW	732	BR9	MATRIX	80	YELLOW	785	
a10	MATRIX	80	YELLOW	399	b10	MATRIX	80	YELLOW	384	c10	MATRIX	80	YELLOW	388	d10	MATRIX	80	YELLOW	570	e10	MATRIX	80	YELLOW	623	BR10	MATRIX	80	YELLOW	651	
a11	MATRIX	80	YELLOW	384	b11	MATRIX	80	YELLOW	421	c11	MATRIX	80	YELLOW	415	d11	MATRIX	80	YELLOW	616	e11	MATRIX	80	YELLOW	659	BR11	MATRIX	80	YELLOW	485	
a12	MATRIX	80	YELLOW	369	b12	MATRIX	80	YELLOW	404	c12	MATRIX	80	YELLOW	407	d12	MATRIX	80	YELLOW	609	e12	MATRIX	80	YELLOW	640	BR12	MATRIX	80	YELLOW	671	
a13	MATRIX	80	YELLOW	1151	b13	MATRIX	80	YELLOW	1077	c13	MATRIX	80	YELLOW	1054	d13	Matrix	80	YELLOW	764											
a14	MATRIX	80	YELLOW	1087	b14	MATRIX	80	YELLOW	1015	c14	MATRIX	80	YELLOW	1006	d14	MATRIX	80	YELLOW	749											
a15	MATRIX	80	YELLOW	604	b15	MATRIX	80	YELLOW	551	c15	MATRIX	80	YELLOW	473																
a16	MATRIX	80	YELLOW	510	b16	MATRIX	80	YELLOW	501	c16	MATRIX	80	YELLOW	449																
2A1	PPSL	200	GREEN	1842	2B1	TNL	280	Blue	1651	2C1	TNL	280	BLUE	1650	2D1	PPSL	200	BLUE	1029					2BR1	MATRIX	80	YELLOW	1.313		
2A2	PPSL	200	GREEN	1778	2B2	TNL	280	BLUE	1582	2C2	TNL	280	BLUE	1586	2D2	PPSL	200	BLUE	951					2BR2	MATRIX	80	YELLOW	1.001		
2A3	PPSL	200	GREEN	1775	2B3	TNL	280	BLUE	1583	2C3	TNL	280	BLUE	1582	2D3	PPSL	200	BLUE	1008					2BR3	MATRIX	80	YELLOW	895		
2A4	PPSL	200	GREEN	1720	2B4	PPSL	200	BLUE	1532	2C4	PPSL	200	BLUE	1535	2D4	PPSL	200	BLUE	933					2BR4	MATRIX	80	YELLOW	844		
2A5	PPSL	200	GREEN	1440	2B5	PPSL	120	BLUE	531	2C5	PPSL	120	BLUE	538	2D5	PPSL	120	BLUE	892					2BR5	MATRIX	80	YELLOW	558		
2A6	PPSL	120	GREEN	1336	2B6	PPSL	120	BLUE	458	2C6	PPSL	120	BLUE	476	2D6	PPSL	120	BLUE	723					2BR6	MATRIX	80	YELLOW	672		
2A7	TNL	280	GREEN	1517	2B7	PPSL	120	BLUE	448	2C7	PPSL	120	BLUE	486	2D7	PPSL	200	BLUE	975					3BR1	PPSL	120	RED	3417		
2A8	PPSL	120	GREEN	1926	BC1	PPSL	200	BLUE	910	2STA	MATRIX	80	YELLOW	819	2D8	PPSL	120	BLUE	1469					3BR2	PPSL	120	RED	3259		
					BC2	PPSL	200	BLUE	831	2STB	MATRIX	80	YELLOW	824										3BR3	PPSL	120	RED	3456		
					2BC1	TNL	280	BLUE	1441	2STC	MATRIX	80	YELLOW	953																
					2BC2	PPSL	200	BLUE	1471	STB	TNL	140	RED	6112																
3A1	TNL	400	GREEN	6122	3B1	TNL	400	BLUE	6232	3C1	TNL	400	BLUE	6235	3D1	TNL	280	BLUE	6841					BRMAIN	TNL	400	RED	3822		
3A2	TNL	400	GREEN	6084	3B2	TNL	400	BLUE	6194	3C2	TNL	400	BLUE	6212	3D2	TNL	280	BLUE	6767											KNOT POINT: 3622
3A3	TNL	400	GREEN	4304	3B3	TNL	400	BLUE	4852					3D3	TNL	280	BLUE	5759												
3A3'	TNL	400	GREEN	490																										



LINES TECHNICAL DATA

TAKOO 5

44

REF.	MAT.	KG	COLOUR	M/M	REF.	MAT.	KG	COLOUR	M/M	REF.	MAT.	KG	COLOUR	M/M	REF.	MAT.	KG	COLOUR	M/M	REF.	MAT.	KG	COLOUR	M/M	REF.	MAT.	KG	COLOUR	M/M	
a1	PPSL	120	GREEN	617	b1	PPSL	120	BLUE	613	c1	PPSL	120	BLUE	613	d1	MATRIX	80	YELLOW	794	e1	MATRIX	80	YELLOW	871	br1	MATRIX	80	YELLOW	1060	
a2	PPSL	120	GREEN	546	b2	PPSL	120	BLUE	535	c2	PPSL	120	BLUE	537	d2	MATRIX	80	YELLOW	694	e2	MATRIX	80	YELLOW	779	br2	MATRIX	80	YELLOW	821	
a3	PPSL	120	GREEN	574	b3	PPSL	120	BLUE	566	c3	PPSL	120	BLUE	566	d3	MATRIX	80	YELLOW	726	e3	MATRIX	80	YELLOW	808	br3	MATRIX	80	YELLOW	953	
a4	PPSL	120	GREEN	595	b4	PPSL	120	BLUE	592	c4	PPSL	120	BLUE	593	d4	MATRIX	80	YELLOW	777	e4	MATRIX	80	YELLOW	849	br4	MATRIX	80	YELLOW	955	
a5	PPSL	120	GREEN	582	b5	PPSL	120	BLUE	577	c5	PPSL	120	BLUE	577	d5	MATRIX	80	YELLOW	731	e5	MATRIX	80	YELLOW	808	br5	MATRIX	80	YELLOW	952	
a6	PPSL	120	GREEN	529	b6	PPSL	120	BLUE	519	c6	PPSL	120	BLUE	521	d6	MATRIX	80	YELLOW	652	e6	MATRIX	80	YELLOW	726	br6	MATRIX	80	YELLOW	759	
a7	PPSL	120	GREEN	536	b7	PPSL	120	BLUE	526	c7	PPSL	120	BLUE	525	d7	MATRIX	80	YELLOW	679	e7	MATRIX	80	YELLOW	747	br7	MATRIX	80	YELLOW	747	
a8	PPSL	120	GREEN	547	b8	PPSL	120	BLUE	544	c8	PPSL	120	BLUE	545	d8	MATRIX	80	YELLOW	723	e8	MATRIX	80	YELLOW	775	br8	MATRIX	80	YELLOW	873	
a9	PPSL	120	GREEN	503	b9	PPSL	120	BLUE	483	c9	PPSL	120	BLUE	482	d9	MATRIX	80	YELLOW	699	e9	MATRIX	80	YELLOW	759	br9	MATRIX	80	YELLOW	813	
a10	MATRIX	80	YELLOW	414	b10	MATRIX	80	YELLOW	398	c10	MATRIX	80	YELLOW	402	d10	MATRIX	80	YELLOW	591	e10	MATRIX	80	YELLOW	645	br10	MATRIX	80	YELLOW	675	
a11	MATRIX	80	YELLOW	397	b11	MATRIX	80	YELLOW	436	c11	MATRIX	80	YELLOW	430	d11	MATRIX	80	YELLOW	638	e11	MATRIX	80	YELLOW	682	br11	MATRIX	80	YELLOW	502	
a12	MATRIX	80	YELLOW	382	b12	MATRIX	80	YELLOW	419	c12	MATRIX	80	YELLOW	422	d12	MATRIX	80	YELLOW	631	e12	MATRIX	80	YELLOW	663	br12	MATRIX	80	YELLOW	695	
a13	MATRIX	80	YELLOW	1192	b13	MATRIX	80	YELLOW	1115	c13	MATRIX	80	YELLOW	1092	d13	Matrix	80	YELLOW	791											
a14	MATRIX	80	YELLOW	1127	b14	MATRIX	80	YELLOW	1052	c14	MATRIX	80	YELLOW	1042	d14	MATRIX	80	YELLOW	776											
a15	MATRIX	80	YELLOW	626	b15	MATRIX	80	YELLOW	571	c15	MATRIX	80	YELLOW	490																
a16	MATRIX	80	YELLOW	528	b16	MATRIX	80	YELLOW	519	c16	MATRIX	80	YELLOW	466																
2A1	PPSL	200	GREEN	1908	2B1	TNL	280	Blue	1710	2C1	TNL	280	BLUE	1708	2D1	PPSL	200	Blue	1065						2BR1	MATRIX	80	YELLOW	1.359	
2A2	PPSL	200	GREEN	1844	2B2	TNL	280	BLUE	1640	2C2	TNL	280	BLUE	1644	2D2	PPSL	200	BLUE	987						2BR2	MATRIX	80	YELLOW	1.038	
2A3	PPSL	200	GREEN	1839	2B3	TNL	280	BLUE	1639	2C3	TNL	280	BLUE	1638	2D3	PPSL	200	BLUE	1043						2BR3	MATRIX	80	YELLOW	926	
2A4	PPSL	200	GREEN	1783	2B4	PPSL	200	BLUE	1588	2C4	PPSL	200	BLUE	1591	2D4	PPSL	200	BLUE	967						2BR4	MATRIX	80	YELLOW	876	
2A5	PPSL	200	GREEN	1491	2B5	PPSL	120	BLUE	550	2C5	PPSL	120	BLUE	557	2D5	PPSL	120	BLUE	924						2BR5	MATRIX	80	YELLOW	577	
2A6	PPSL	120	GREEN	1385	2B6	PPSL	120	BLUE	474	2C6	PPSL	120	BLUE	494	2D6	PPSL	120	BLUE	750						2BR6	MATRIX	80	YELLOW	697	
2A7	TNL	280	GREEN	1572	2B7	PPSL	120	BLUE	464	2C7	PPSL	120	BLUE	504	2D7	PPSL	200	BLUE	1009						3BR1	PPSL	120	RED	3538	
2A8	PPSL	120	GREEN	1996	BC1	PPSL	200	BLUE	943	2STA	MATRIX	80	YELLOW	849	2D8	PPSL	120	BLUE	1523						3BR2	PPSL	120	RED	3377	
					BC2	PPSL	200	BLUE	861	2STB	MATRIX	80	YELLOW	853											3BR3	PPSL	120	RED	3584	
					2BC1	TNL	280	BLUE	1493	2STC	MATRIX	80	YELLOW	987																
					2BC2	PPSL	200	BLUE	1524	STB	TNL	140	RED	6353																
3A1	TNL	400	GREEN	6356	3B1	TNL	400	BLUE	6470	3C1	TNL	400	BLUE	6479	3D1	TNL	280	BLUE	7101						BRMAIN	TNL	400	RED	3949	
3A2	TNL	400	GREEN	6321	3B2	TNL	400	BLUE	6435	3C2	TNL	400	BLUE	6453	3D2	TNL	280	BLUE	7028											KNOT POINT: 3749
3A3	TNL	400	GREEN	4497	3B3	TNL	400	BLUE	5047					3D3	TNL	280	BLUE	5986												
3A3'	TNL	400	GREEN	490																										

**NIVIUK TAKOO 5 39**

LINES HEIGHT + RISER mm

	A	B	C	D	E	BR
1	8576	8494	8498	8650	8722	9029
2	8508	8420	8426	8556	8635	8805
3	8472	8382	8391	8511	8588	8629
4	8490	8405	8416	8558	8624	8629
5	8438	8352	8368	8496	8567	8373
6	8388	8298	8314	8421	8489	8192
7	8341	8256	8275	8373	8437	8131
8	8350	8272	8293	8414	8462	8247
9	8246	8206	8211	8310	8366	8105
10	8163	8127	8136	8209	8260	7976
11	8049	8015	8026	8090	8131	7925
12	8034	7998	8018	8083	8113	8044
13	7906	7877	7890	8018		
14	7844	7817	7843	8004		
15	7587	7540	7588			
16	7496	7491	7566			
RISER LENGHT mm						
	A	B	C	D		
	350	350	350	350	STANDARD	
	350	375	400	450	TRIMMER OPENED	

**NIVIUK TAKOO 5 42**

LINES HEIGHT + RISER mm

	A	B	C	D	E	BR
1	8913	8824	8826	8987	9061	9405
2	8843	8748	8752	8890	8971	9174
3	8808	8710	8716	8843	8923	8991
4	8827	8735	8742	8892	8961	8992
5	8774	8683	8700	8831	8905	8725
6	8722	8627	8645	8754	8825	8538
7	8675	8585	8605	8706	8771	8476
8	8685	8602	8624	8748	8798	8597
9	8574	8538	8544	8641	8699	8451
10	8487	8456	8467	8537	8590	8317
11	8369	8341	8353	8414	8457	8265
12	8354	8324	8345	8407	8438	8391
13	8222	8189	8204	8335		
14	8158	8127	8156	8320		
15	7891	7843	7894			
16	7797	7793	7870			
RISER LENGHT mm						
	A	B	C	D		
	350	350	350	350	STANDARD	
	350	375	400	450	TRIMMER OPENED	

LINES HEIGHT + RISER mm

	A	B	C	D		BR
1	9233	9145	9146	9308	9385	9756
2	9157	9067	9070	9208	9293	9517
3	9121	9028	9035	9162	9244	9328
4	9142	9054	9062	9213	9285	9330
5	9089	9003	9014	9150	9227	9054
6	9036	8945	8958	9071	9145	8861
7	8987	8903	8917	9022	9090	8799
8	8998	8921	8937	9066	9118	8925
9	8878	8847	8847	8957	9017	8773
10	8788	8762	8767	8849	8903	8635
11	8666	8642	8650	8722	8766	8582
12	8651	8625	8642	8715	8747	8715
13	8513	8494	8505	8651		
14	8448	8431	8455	8636		
15	8181	8130	8183			
16	8083	8078	8159			
RISER LENGHT mm						
	A	B	C	D		
	350	350	350	350	STANDARD	
	350	375	400	450	TRIMMER OPENED	

**SUSPENSION TECHNICAL DATA**

**TAKOO 5**

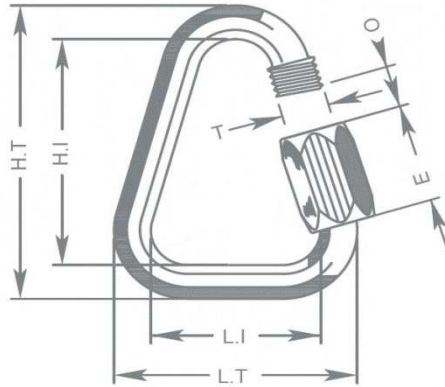
MATERIAL CODE		MATRIX	PPSL	PPSL	TNL	TNL	TNL	TNL	TARAX
STRENGTH CODE		80	120	200	080	140	280	400	240
DIAMETER mm	Ø	0,9	1,15	1,42	1,1	1,4	1,8	2,3	1,9
CORE MATERIAL		DYNEEMA	DYNEEMA	DYNEEMA	TECHNORA	TECHNORA	TECHNORA	TECHNORA	DYNEEMA
SLEEVE MATERIAL		POLYESTER	POLYESTER	POLYESTER	POLYESTER	POLYESTER	POLYESTER	POLYESTER	POLYESTER
WEIGHT G/M	TOTAL	0,7	1	1,6	1,1	1,2	2,7	4	2,3
BREAKING STRENGTH	MINIMUM	80	120	200	80	140	280	460	240
	MAXIMUM		159	241	92	160	320	470	
STRENGTH AFTER									
5.000 BENDING	TEST EN		135	191	36,7	76,1	134,7	160,1	
CYCLES									
ELONGATION AT	5 DAN EN %	0,1-0,4			0,3	0,2	0,2	0,05	0,1-0,3
	10 DAN EN %		0,2	0,24	0,5	0,3	0,3	0,1	0,2-0,4
	15 DAN EN %				0,7	0,5	0,4	0,2	0,2-0,6
	20 DAN EN %				1	0,6	0,4	0,2	0,3-0,7
	25 DAN EN %	0,8-1			1,3	0,8	0,5	0,3	0,4-0,8
	30 DAN EN %		0,6	0,55	2,3	1,5	0,9	0,6	
	75 DAN EN %	2,5-2,8			2,8	2,3	1,3	0,8	0,9-1,2
	100 DAN EN %					2,7	1,7	1,1	1,1-1,5
	125 DAN EN %					3,2	2	1,4	
	150 DAN EN %						2,3	1,7	1,5-2,1
	175 DAN EN %						2,7	2	
	200 DAN EN %						2,8	2,2	2-2,8
ELONGATION MAX. BREAKING STRENGTH %			2		3	3,4	4,1	4,6	

## MAILLON TECHNICAL DATA

### DESCRIPTION

MAILLON	DELTA
CODE	3.5
MATERIAL	STAINLESS STEEL
SIZE	3 m/m
WEIGHT	5 G/PIECE
QUANTITY	10 PIECES
INSERTS	2 GREEN / 8 BLACK

### TECHNICAL SPECIFICATIONS



DIMENSIONS	mm
L.T.	22
L.I.	14
H.T.	37
H.I.	29
O	5
E	12
T	4
LOAD	KG
WORKING LIMIT	110
BREAKING	550

### MATERIAL

AISI 304 STAINLESS STEEL

STANDARD

CLOSING APPLIED BY MANUAL & ENTIRE SCREWING OF THE NUT

TO GUARANTEE THE HIGHEST SAFETY (NO THREAD SHOULD BE OBVIOUS)

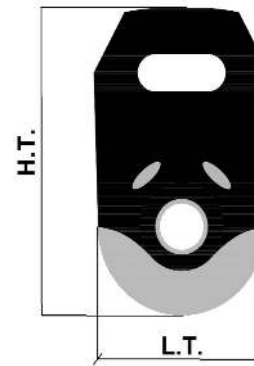
SYSTEMATIC CONTROL OF MAILLON QUICK-LINKS BEFORE EVERY FLIGHT

## PULLEY TECHNICAL DATA

### DESCRIPTION

PULLEY	20 m/m
CODE	RF25109
MATERIALS	STAINLESS STEEL
	NYLON
	CARBON ACETAL
BEARING	DELRIN®
WEIGHT	14 G/PIECE

### TECHNICAL SPECIFICATIONS



DIMENSIONS	mm
L.T.	20
H.T.	33
Ø	5 MAX
LOAD	KG
WORKING LIMIT	200
BREAKING	400

**THREAD TECHNICAL DATA****SAIL MAKING**

NAME	SERAFIL
N° OF REFERENCE	60
MATERIAL	POLYESTER
TYPE OF FINISH	SILK
LINEAR DENSITY	NM 61 / 3 (DTEX 163 * 3)
BREAKING STRENGTH	3,000 CN
ELONGATION	17,00%

**SERAFIL PROPERTIES**

SOLIDITY ARTIFICIAL LIGTH	ISO 105 B02 > 5 - 6
SOLIDITY SWEAT	ISO 105 E04 > 4
SOLIDITY WASHING	ISO 105 C04 > 3
SOLIDITY GRAZE IN DRY	ISO 105 X12 > 4
SOLIDITY WASHING IN DRY	ISO 105 D01 > 3 - 4

TREATMENT WATER REPELLENT	WR
---------------------------	----

**RISERS MAKING**

NAME	COATS BONDED C.F.P.
N° OF REFERENCE	V138
MATERIAL	POLYESTER
TYPE OF FINISH	SILK
BREAKING STRENGTH	9,5 KG
ELONGATION	19%

**RISERS TECHNICAL DATA****RISERS**

N° OF REFERENCE	G-R 22
MATERIAL	POLYESTER
WIDTH	22 M/M
THICKNESS	1,52 M/M
BREAKING STRENGTH	1100 DAN
ELONGATION	MAX. 15%
WEIGHT	25 G/M
COLOR	BLACK

**COLOR INDICATOR**

N° OF REFERENCE	IC-G 1-2
MATERIAL	POLYESTER
WIDTH	70 Mm
THICKNESS	0,80 Mm
BREAKING STRENGTH	130 DN
ELONGATION	35 %
WEIGHT	32 G * L.M.
COLOR	GREEN

**LOOPS**

N° OF REFERENCE	LKI - 10
MATERIAL	NYLON
WIDTH	10 Mm
BREAKING STRENGTH	84 KG
ELONGATION	30 %
WEIGHT	5,5 G/M
COLOR	WHITE

